

Desktop HD Video Camera

MG100

The MG100 series cameras offer perfect functionality, superior performance and rich interfaces. The features include advanced ISP processing algorithms to provide vivid images with a strong sense of depth, high resolution, and fantastic color rendition. The camera works stably when operation is simple and installation and maintenance is quite convenient.



Product Features

- **Widest-ever field-of-view**

Enjoy an extended view – 78° degrees by the wide angle lens;

- **Full HD**

Employs 1/2.8 inch 2.07 million pixels high quality CMOS sensor. Resolution is up to 1920x1080 with frame rate up to 30fps. Presenting crastyal-clear video image and showing vivid expressions and motions of a person.

- **Low Noise and High SNR**

Low Noise CMOS effectively ensure high SNR of camera video.

- **Multiple Video Compression**

Support [H.264](#) video compression, to ensure the smoothly when playing the video

- **Stereo sound**

Built in omnidirectional high sensitive digital pickup whose distance can reach [5](#) meters, it supports auto gain, auto noise reduction function; The stereo sound is clear and nature, no need to connect external pickup device.

- **USB 2.0 USB 2.0 interface for plug and play**

- **Multiple installation**

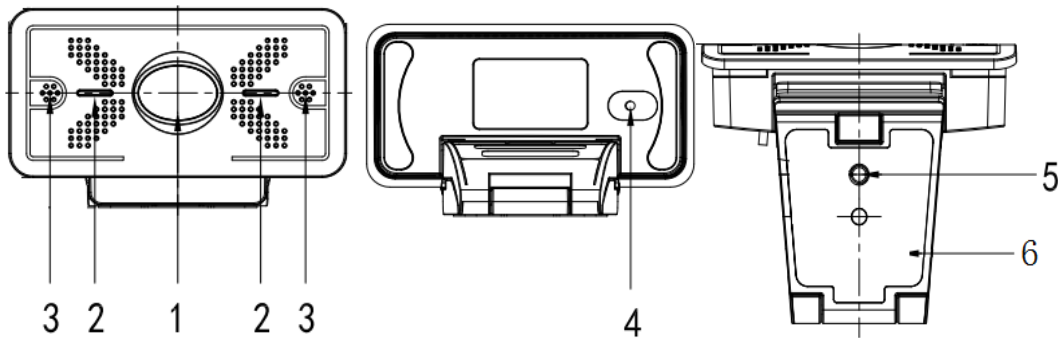
Free to install and place. The camera comes with fixing clamp which enable camera to be installed on LCD screen and top of the laptop easily. User can also put it on the table or on tripod.

- **Wide Application**

Personal video application, Video conference and video collaboration etc.

- **User friendly**

No need to download driving device or extra software,user experience is convenient and simple. As following shows:



1、 Lens (Focus)	3、 Audio Input (Built-in pickup)	5 、 Bracket mounting screw hole
2、 Indicator light	4、 USB2.0 Outlet Hole (Can not Pull out)	6、 Securing clip

Technical Specification

Camera Parameter	
Sensor	1/2.8 inch high quality HD CMOS sensor
Effective Pixels	16: 9 207 megapixels
Video Format	176x144/320x240/320x180/352x288/640x480/720x480/720x576/640x360/800X600/960X540/1024X576/1024X768/1280X720/1920X1080P30/25/20/15/10/5
Optical zoom	Fixed focal length, digital zoom X10
View Angle	78° (pan) 56.2° (tilt)
Minimum Illumination	0.5Lux(F1.8, AGC ON)
Focus	Fixed
Aperture	Fixed
BLC	ON/OFF

Video Adjustment	Brightness,Color,Saturation,Contrast,Sharpness,Gamma curve, Gain, Anti-flicker
SNR	>50dB

Input/Output Interface

Video Interfaces	USB2.0(power supply available)
Video Compression Format	H.264, MGPEG
Audio Input Interface	Built in omnidirectional high sensitive digital pickup

Other Parameter

Input Voltage	5V
Input Current	500mA (Max.)
Consumption	2.5W (Max)
Store Temperature	-10°C ~ +60°C
Store Humidity	20% - 95%
Working Temperature	-10°C ~ +50°C
Working Humidity	20%--80%
Dimension (WXHXD)	112mm*65mm*93mm
Weight (appx.)	0.25kg
Application	Indoor
Accessory	User Manual,Warranty card

Size picture:

